

AAU CONTAINER

Type:AAU CONTAINER

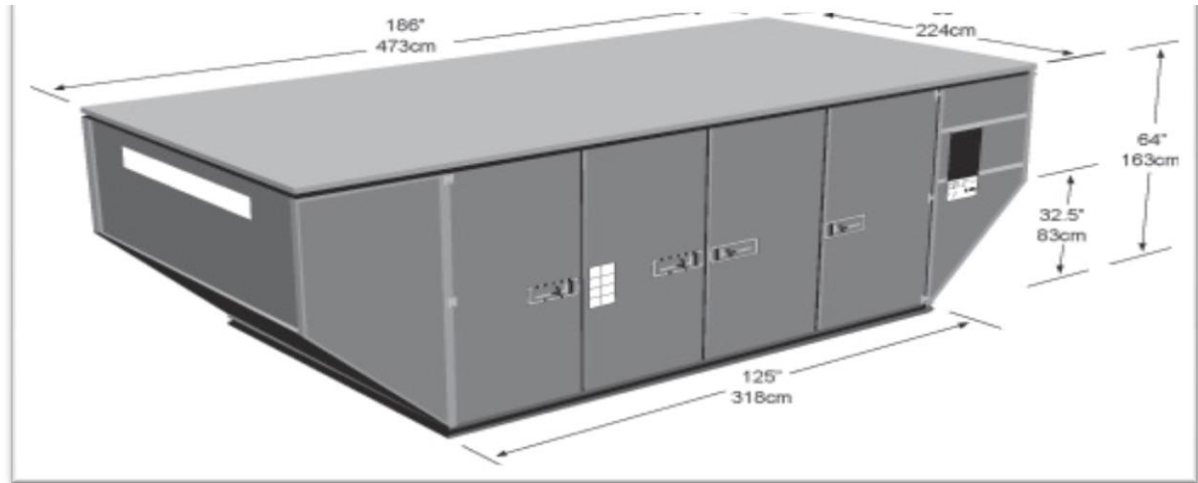
ATA Code: LD29

Internal Volume:

505 cu. ft. 14.3 mc Weight Limitation Inc.

ULD Tare Weight: 4,626 kg

Loadable Aircraft Type: 747, 747F



AKE CONTAINER

Type: AKE CONTAINER

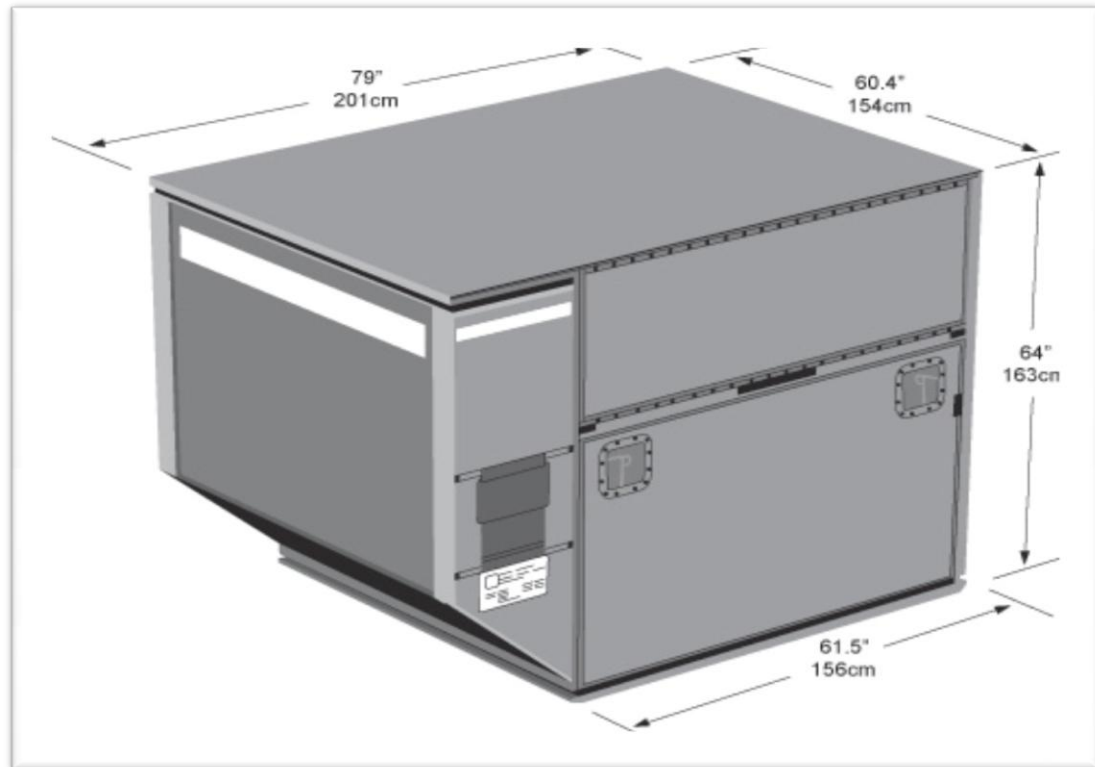
ATA Code: LD3

Internal Volume:

152 cu. ft. 4.3 mc Weight Limitation Inc.

ULD Tare Weight: 1,588 kg

Loadable Aircraft Type: 747, 747F, 777, Airbus



AMF CONTAINER

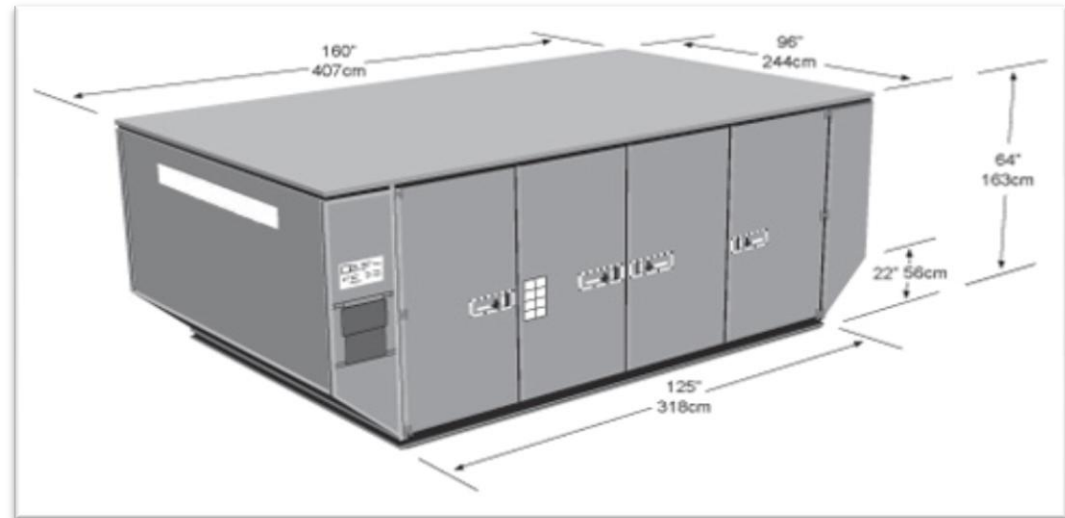
Type:AMF CONTAINER

Internal Volume:

516 cu. ft. 14.6 mc Weight Limitation Inc.

ULD Tare Weight: 5,035 kg

Loadable Aircraft Type: 747,747F, 777, Airbus



P1P_PAG PALLET

Type: P1P、PAG PALLET

Size - Base: 88" x 125"

- Hight: #64"、x *96"、**118"

Weight Limitation Inc.

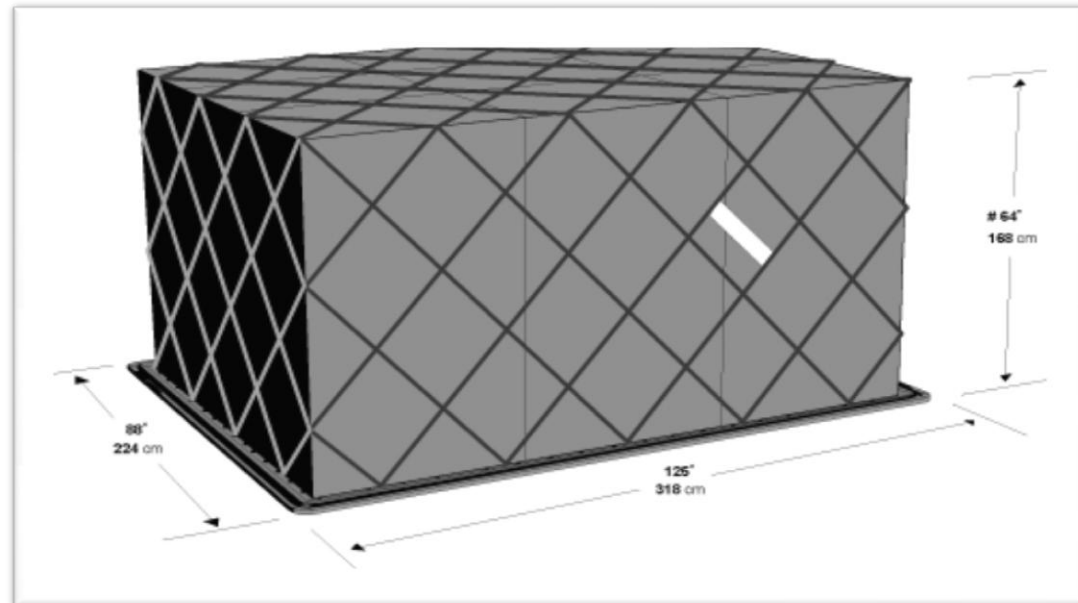
ULD Tare Weight: 4,626 kg (LD),6,033kg (MD)

Loadable Aircraft Type: 747,747F, 777, Airbus

Passenger Flight

*Q6 Contour

*Q7 Contour



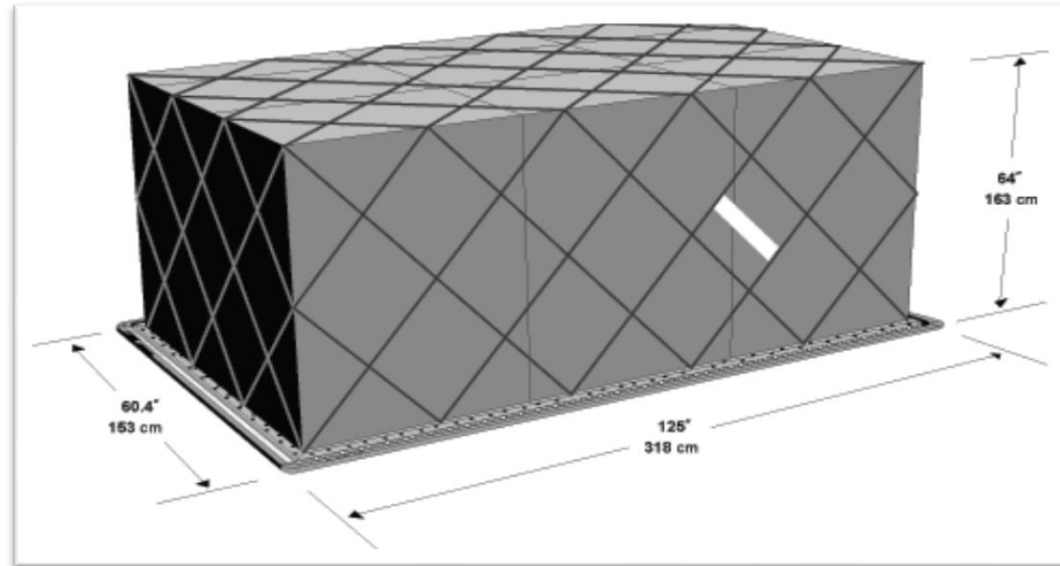
PLA PALLET

Type: PLA PALLET

Size - Base: 60,4" x 125" - Hight: 64"

Weight Limitation Inc. ULD Tare Weight: 3,175 kg

Loadable Aircraft Type: 747, 747F, 777, Airbus



PMC_PQP_P6P PALLET

Type: PMC, PQP, P6P PALLET

Size - Base: 96" x 125"

Weight Limitation Inc.

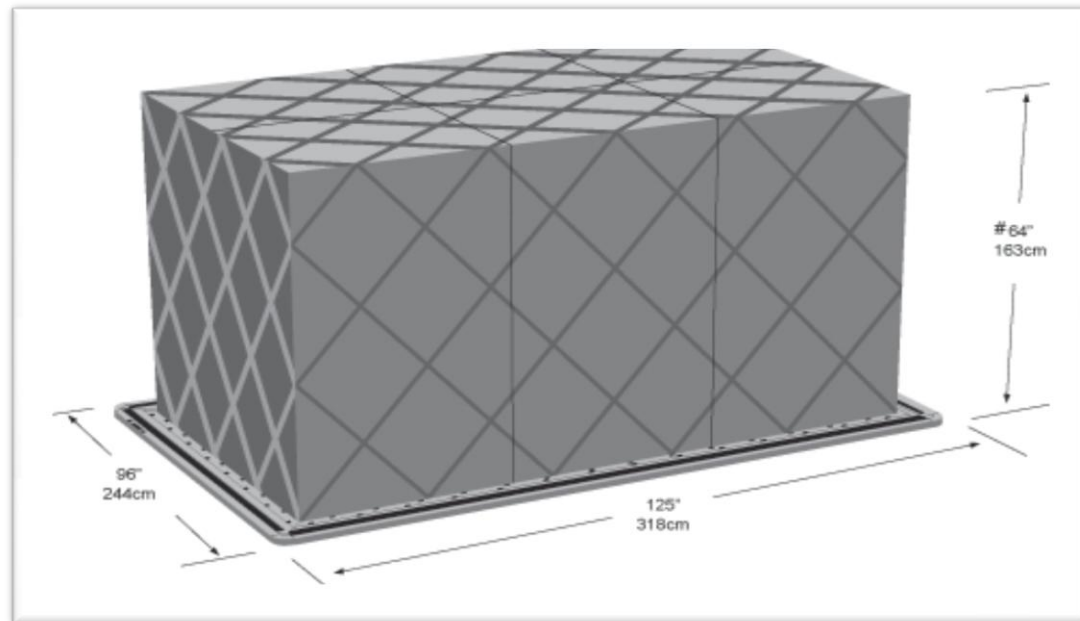
ULD Tare Weight: 5,035 kg (LD), 6,804 kg (MD)

Loadable Aircraft Type: 747, 747F, 777, Airbus

Passenger Flight

*Q6 Contour

**Q7 Contour



ALF CONTAINER

Type: ALF CONTAINER

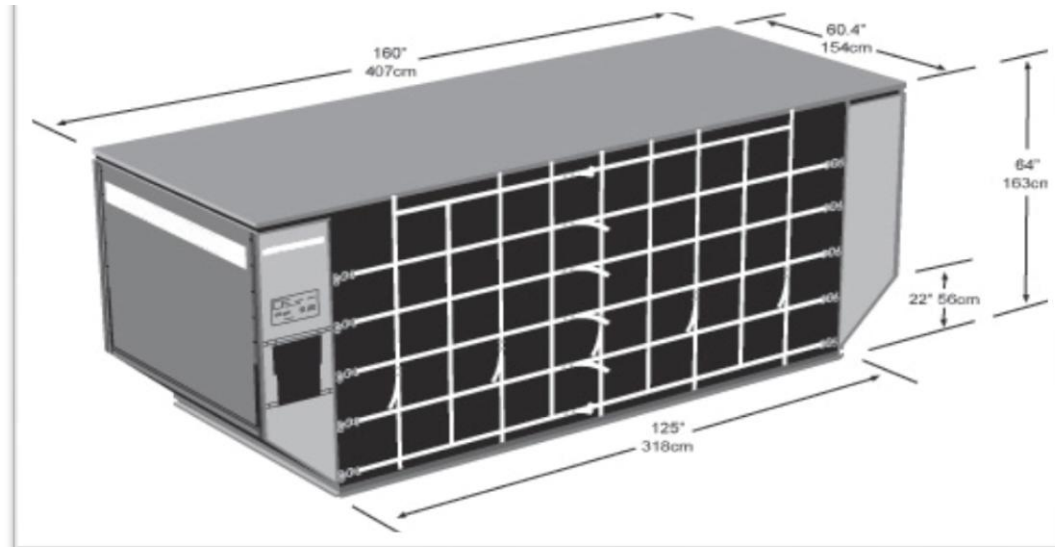
ATA Code: LD6

Internal Volume:

310 cu. ft. 8.78 mc Weight Limitation Inc.

ULD Tare Weight: 3,175 kg

Loadable Aircraft Type: 747, 747F,777, Airbus



AMA CONTAINER

Type: AMA CONTAINER

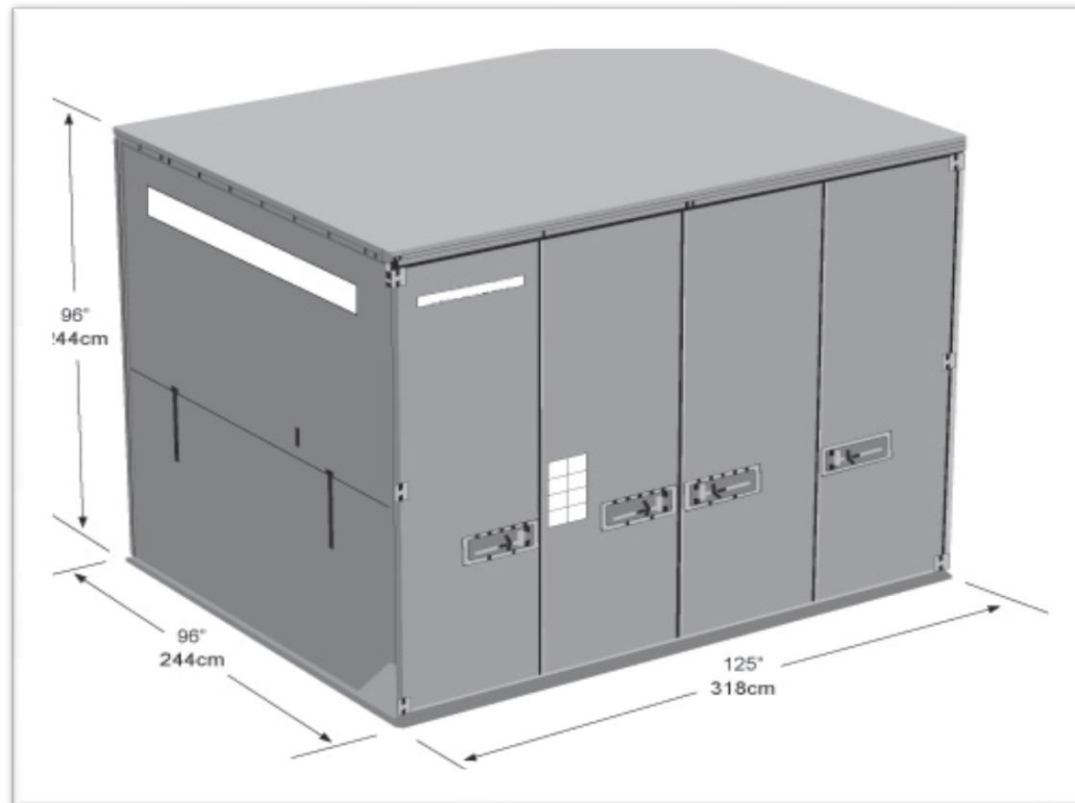
ATA Code: M1

Internal Volume:

621 cu. ft. 17.58 mc Weight Limitation Inc.

ULD Tare Weight: 6,804 kg

Loadable Aircraft Type: 747F



PEB PALLET

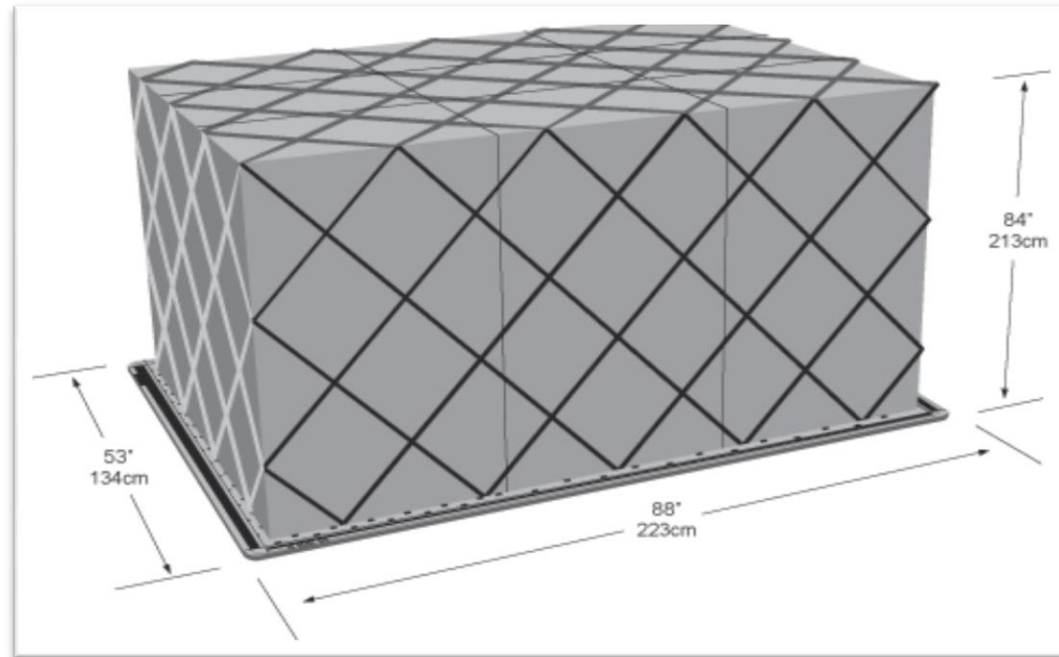
Type: PEB CONTAINER

Size - Base: 53" x 88" -Height: 84"

Weight Limitation Inc.

ULD Tare Weight: 1,800 kg (B-HIH -1,300 KG)

Loadable Aircraft Type: 747F



PGA PLEET

Type: PAG PALLET

Size - Base: 96" x 238.5" - Hight: *96" 、 **118"

Weight Limitation Inc.

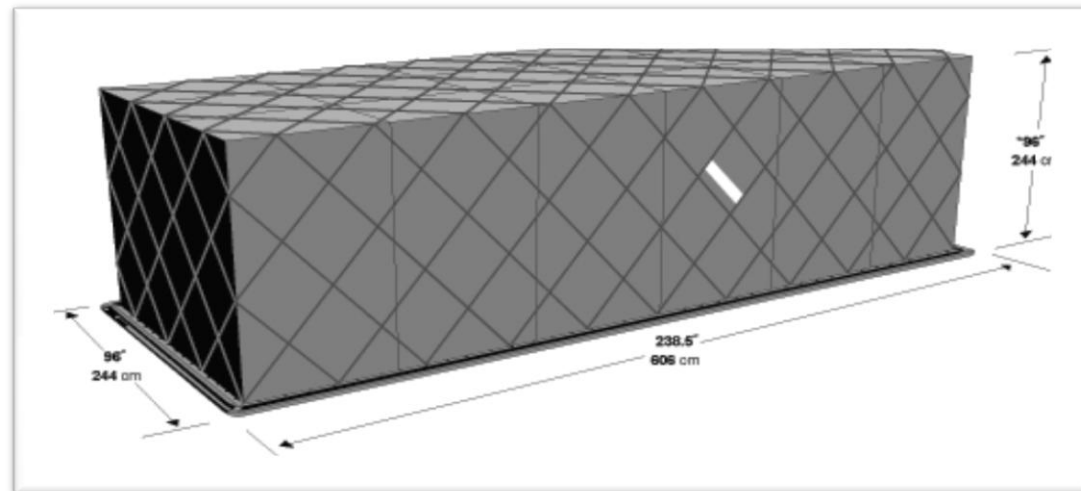
ULD Tare Weight: 11,340 kg

Loadable Aircraft Type: 747F

Passenger Flight

*Q6 Contour

**Q7 Contour



RAP CONTAINER

Type: RAP CONTAINER

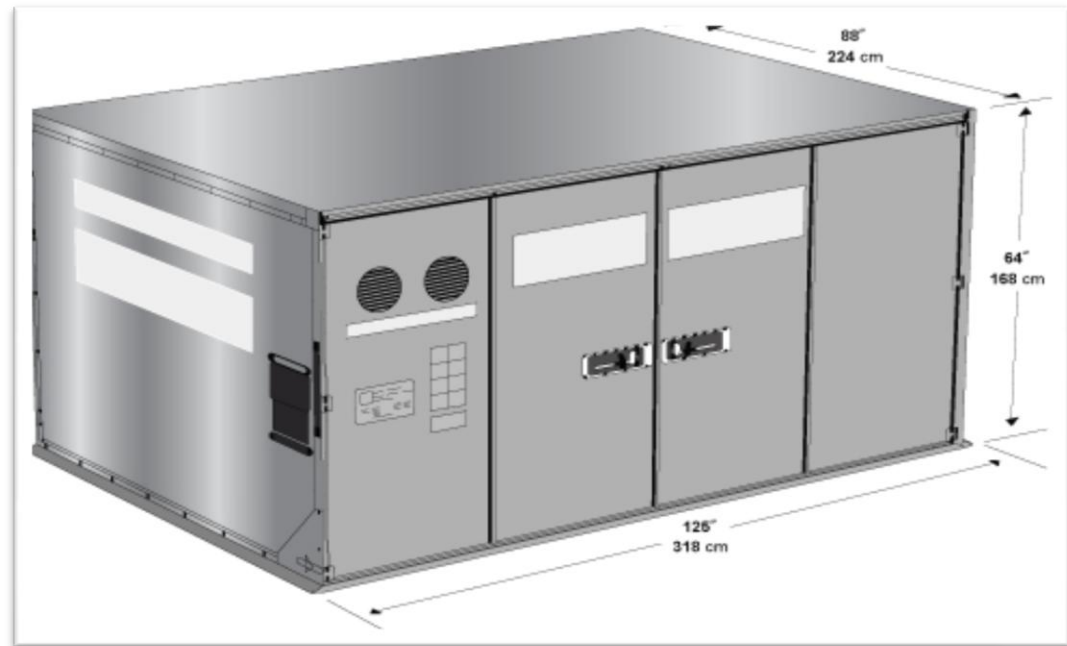
ATA Code: LD9

Internal Volume: 505 cu. ft 14.3 mc

Weight Limitation Inc.

ULD Tare Weight: 4,626 kg

Loadable Aircraft Type: 747, 747F



RKN CONTAINER

Type: RKN CONTAINER

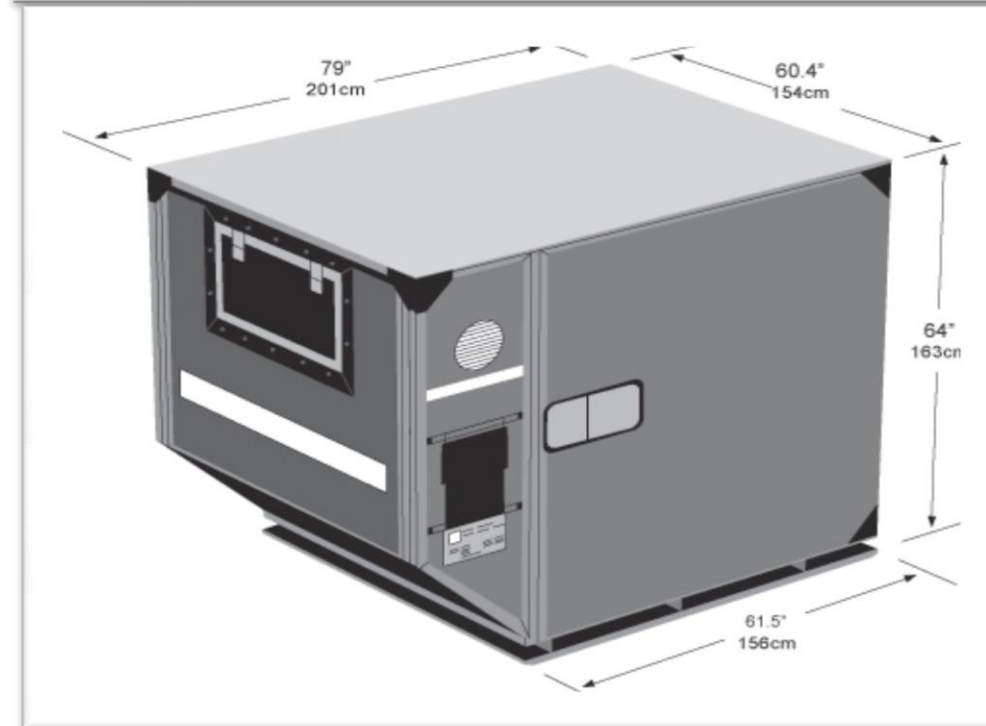
ATA Code: LD3

Internal Volume: 125.41 cu. ft. 3.55 mc

Weight Limitation Inc.

ULD Tare Weight: 1,588 kg

Loadable Aircraft Type: 747, 747F, 777, Airbus



VZA_VRA

Type: VZA, VRA

Size: Fitted on PGA 20 ft. Pallet

Max Width for Lower Car: 81" / 205 cm

Max Centre Height for Lower Car: 59" / 150 cm

Max Wheel Base: 312 cm

Weight Limitation Inc.

ULD Tare Weight: 2,500 kg(Upper Car) 9,300 kg(Max Gross Weight of Pallet)

Loadable Aircraft Type: 747F Upper Deck

